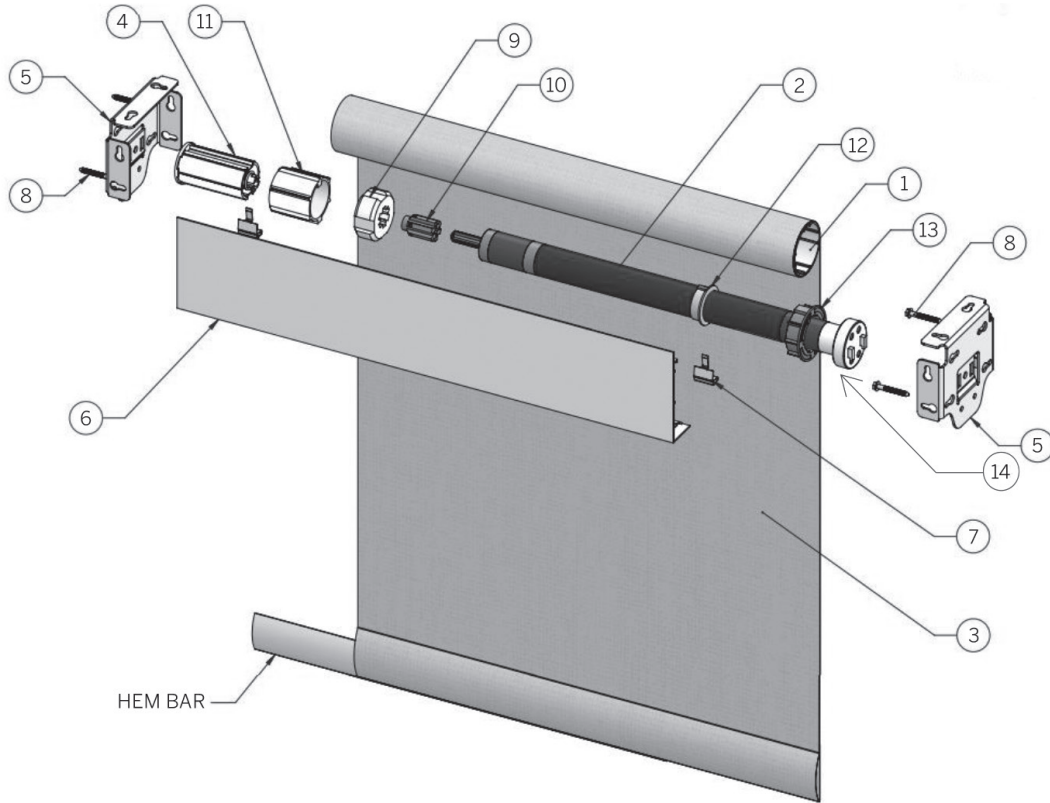


Technical Drawing

Motorized Roller Shade



Motorized Roller Shade Standard Components

Item Description

- 1 Shade Tube
- 2 Motor Assembly Somfy Sonesse 30RT433
- 3 Shade, Screen & Hem-Bar ASSY, 20 in. wide
- 4 Pin Assembly
- 5 Bracket, 4 in. in Wall-Mount
- 6 Fascia Panel, 4 in. x 20 in.
- 7 Clip, Fascia Mounting Tab
- 8 Screw
- 9 Drive Coupling
- 10 Coupling Adapter Insert for 2 in. Drive
- 11 Coupling Insert No Flange
- 12 Coupling Insert Collar
- 13 Coupling Insert 'A' w/ Flange
- 13 Skyline Slam Adapter

