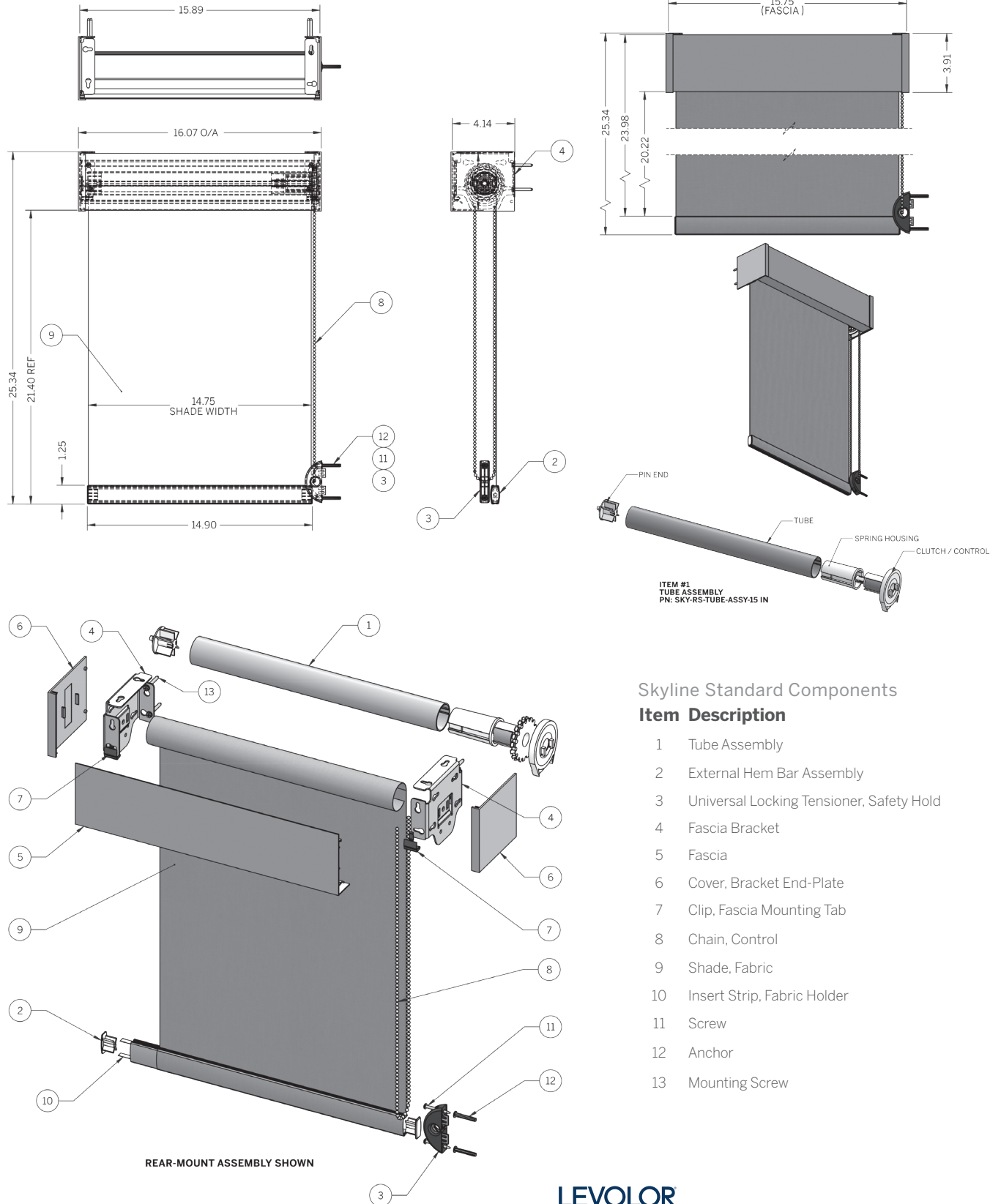


### Technical Drawing

Skyline Roller System



### Skyline Standard Components

#### Item Description

- 1 Tube Assembly
- 2 External Hem Bar Assembly
- 3 Universal Locking Tensioner, Safety Hold
- 4 Fascia Bracket
- 5 Fascia
- 6 Cover, Bracket End-Plate
- 7 Clip, Fascia Mounting Tab
- 8 Chain, Control
- 9 Shade, Fabric
- 10 Insert Strip, Fabric Holder
- 11 Screw
- 12 Anchor
- 13 Mounting Screw