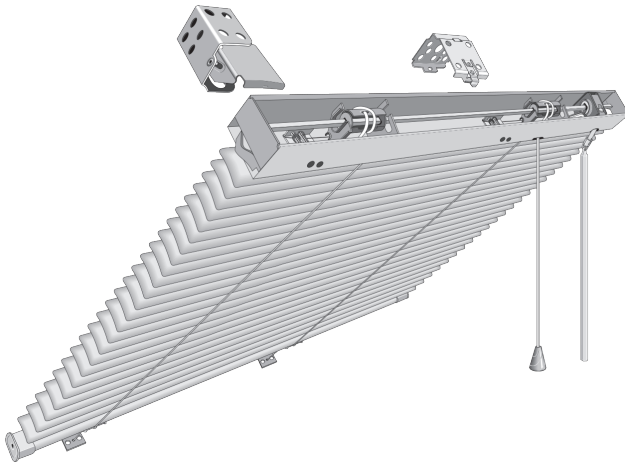


### Riviera Incline 1 Inch Blind Model #RIV1-S

Top quality 1 inch horizontal aluminum window covering for 45° or less commercial applications.



#### Key Features

- Fully functional tilt and lift capability
- Guardian Tilter disengaging clutch mechanism
- Invisible guide wires
- Concealed guide wire tension adjusters.
- Standard Riviera 1 Inch headrail, slats, and components

#### Product Overview

The Riviera Incline 1 Inch Blind represents one of Levolor's most popular top quality specialty horizontal blinds backed by a limited lifetime warranty. Designed for windows with up to a 45° slope from the vertical, the custom built incline blind features, exceptional non-sagging characteristics. The incline blind is fully operational with the slats that raise and lower as well as tilt.

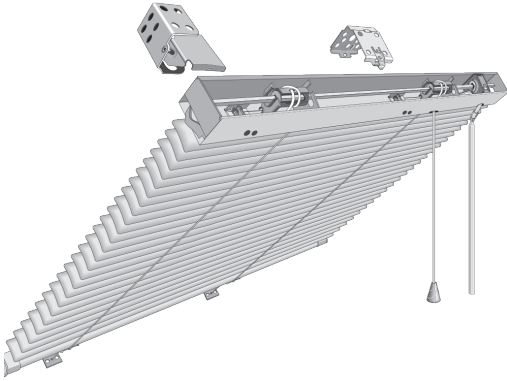
The incline invisible guide wire travel with the lift cords, which along with the 21.5mm ladder spacing, ensure tight closure, superior light control, and eliminate the need for additional holes. The guide wire also comes pre-installed making blind installation quick, easy and cost effective. The unique adjusters, concealed within the headrail, enable the wires to be easily lengthened or shortened in the field.

The Incline blind also includes the exclusive Guardian Tilter disengaging clutch mechanism which eliminates over rotation of the tilt wand and protects the tilt mechanism against breakage. This key feature eliminates the problem of the slats being locked in a permanent position preventing further opening or closing of the blind.

The Incline blind utilizes standard Riviera 1 Inch components – from the durable, sleek headrail and bottomrail to the high quality slats guaranteeing the overall Levolor quality and is offered in a large selection of popular colors. The SheerView perforation option provides a unique see-through feature, reducing solar heat gain up to 42% as compared to a fully opened blind while optimizing the exterior view and maximizing light/glare control.

## Product Specifications

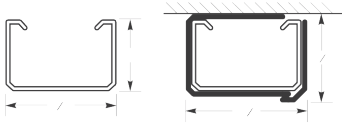
For more detailed specifications please reference Riviera Incline 1 Inch Blind product Guide Specifications.



### Products

- A. Riviera Incline 1 Inch Blind manufactured by LEVOLOR
- B. Lifetime Limited Warranty
- C. Materials:

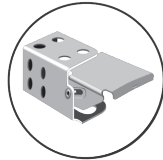
- Headrail** shall be of .025 inch thick painted steel, "U" shaped, 1 inch high x 1 9/16 inches wide. All hardware shall be enclosed in the steel headrail.
- Guardian Tilter** shall be of a .042 inch thick Tomized steel housing with a self-lubricating nylon, automatically disengaging worm and gear mechanism to eliminate overdrive.
- Installation Brackets** shall be of at least .048 inches thick painted steel with a rivet-hinged safety locking front cover to permit removal of headrail without lateral movement.



- Ladders** (slat supports): Distance between slats shall not exceed 21.5mm.
- Slats** shall be of 5000 series magnesium aluminum alloy only. Slats shall be nominally 1 inch wide and the thickness of the slats shall be nominally .008 inches. All fanned slats are positively attached to the blind lift cord. Slats shall be (select one):
  - a. Unperforated
  - b. SheerView – Slats shall be perforated with a staggered pattern of .020 inch diameter holes, nominally 177 per inch of slat length. Slats shall have an openness factor of 6%.



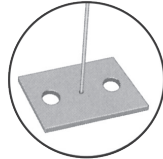
SheerView



Open End Bracket



Hidden Guide/Wire Detail



Sill Plate Wire Connection

- Operation** Blind shall have full tilt capability.

- Options** shall include:

- a. Extension Brackets
- b. Hold-down Brackets
- c. Multi-Colored Striping
- d. Ring Pull
- e. Telescopic or Non-telescopic Tilter Pole
- f. Top Lok Cord Lock
- g. Universal Ring Tilter
- h. 2 Slat Framed Vogue Valance



Universal Tilter Ring

## LEVOLOR